

Shanghai Thenow Purification Technology Co.Ltd

Wine Cellar Cooling Units

Self-contained

User Manual



**Thank you for purchasing this “Thenow” product;
Please read this manual carefully before attempting to install, operate or service;
Please retain this booklet for future reference.**

!!! WARNING !!!



To avoid the risk of electrical shock, property damage, personal injury or death, please read the following instructions carefully with safety or warning labels.

*During transportation or moving, please follow the correct direction on the packing case.

* After transportation or moved, it needs to be allowed to stand for more than 24 hours before it can be turned on.

*Do not attempt to carry out any measurement, device replacement or other maintenance work not covered in this manual, otherwise it may lead to warranty failure, endanger normal operation, extend equipment downtime and increase additional maintenance costs.



Disconnect electric power from the appliance before performing any maintenance or repairs, failure to do so could result in death or electrical shock.

Table of Contents

1. Product Introduction.....	4
2. Dimensions & Technical Data.....	5
3. Installation & Debugging.....	7
4. Introduction of Controller.....	15
5. Maintenance.....	18
6. Troubleshooting.....	19
7. Warranty.....	21

Product Introduction

Wine Cellar Cooling Units Plug-in (HSN-JC8)

Thenow's plug-in type cooling unit is specially designed for smaller wine storage volume under 8 cubic meters, the cooling system is fully self-contained and can be installed in the unused space between the cellar top and ceiling . Besides, plug-in type makes the installation becoming very simple and you don't need a licensed HVAC technician to install it for you, you may be able to install the unit yourself or an experienced handyman.

Features:

Compact plug-in design, easy to install;

Quiet and efficient operation;

Unique self-absorption drainage design;

Intelligent control panel, famous brand sensors with stable quality, integrated ModBus connection;

Famous brand compressor, safe, stable and low energy consumption;

Traditional Chinese knot design air grille, better heat dissipation.

Working Principle

1.Refrigeration

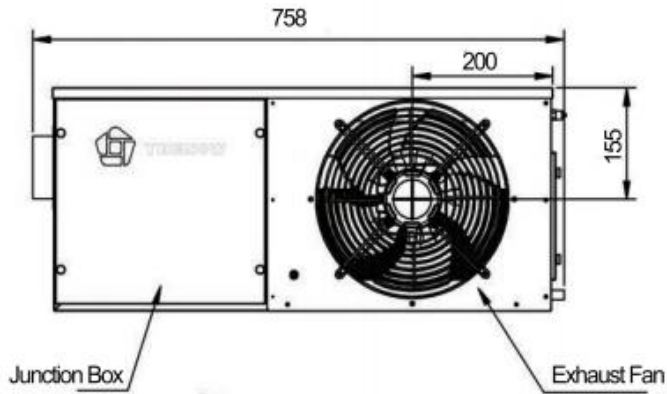
Using cycling vapor compression refrigeration system,when the compressor work, indraft low temperature and pressure refrigerant gas from evaporator, compressed by compressor into high temperature and pressure gas, and then into the condenser to condense into liquid, meantime release heat, after throttling under the function of the thermal expansion valve, entering into the evaporator and absorbed heat,then evaporate into gas, finally back to the compressor through the suction tube and complete a refrigeration cycle ; On the other hand,through changing of refrigerant flow direction, total or partial condensing heat generated from refrigeration can be exhausted to outside,to achieve the purpose of adjusting the indoor temperature.

2. Dehumidification Principle

When the wet air flows through the evaporator surface, the air temperature will drop, when it falls below the dew point,the steam in the air will condense out, gathering and drainage of water pipes in the receiving plate, the controller automatically adjusts the compressor start-up time according to the setting humidity , so as to achieve the purpose of adjusting humidity.

Dimensions & Technical Data

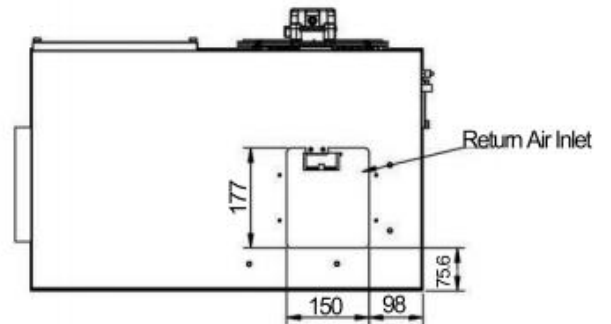
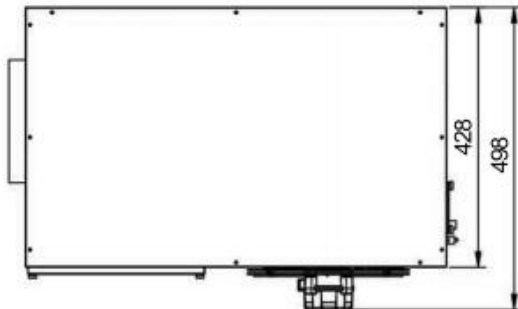
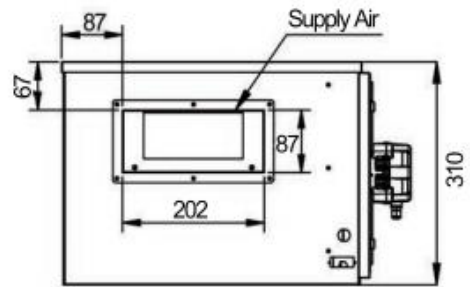
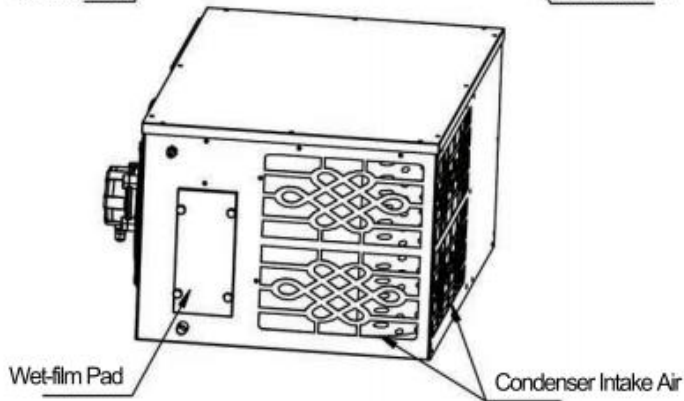
Dimensions HSN-JC8:



Note:

Dimension of model: HSN-JC8

Unit: mm



Technical Data

Model	Unit	HSN-JC8
Cellar Size (Up to)	m ³	8
Power	V/HZ	220/50
Cooling	W	500
Air Flow	m ³ /h	170
Static Pressure	Pa	30
Nosie	dB (A)	45
Refrigerant	/	R290
Control	/	PC Full-touch smart control
Temperature	°C	10-18°C, ±2°C
Total Power	W	700
Size(L*W*H)	mm	758*498*310
Drainage	mm	Self-absorption, no need drain line
Installation	/	Top unused space and blowing directly, partially ducted

Cooling capacity on above sheet test conditions:

Cellar inside dry-bulb t=12°C 60% Outside dry-bulb t=35°C , wet-bulb t=28°C

Note: Cellar size in above sheet is just experience value. There are several factors such as glass, stone, concrete, insulation, ambient temperature, ventilation etc. which will change the required amount of Kw needed to properly cool your wine room or wine cabinet. We strongly recommend you contact with us or our distributors beforehand to help you to choose the model matched. We do not bear the losses caused by the selection errors caused by the above reasons.

Installation and Debugging

Pre-installation Inspection

- A. Check the outer packing for breakage.
- B. Machine model (nameplate), check whether it is consistent with what you ordered.
- C. The appearance of the whole machine is intact.
- D. Sit unit upright for at least 24 hours before installation.

Check the Packing Details :

Item No.	Item	Q'ty	Specification	Photo
1	Cooling Unit	1 set	Refer to the namplate	
2	User Manual	1 piece	A5	
3	Control Panel	1 piece	90*90mm	
4	Controller Cable	1 piece	3m	
5	Exhaust Air Round Duct Fixed Flange	1 piece	404x80x308 mm	
6	Exhaust Air Round Duct Flange	1 piece	φ 196	
7	Return Air Flange	1 piece	φ 153	
8	Screw	1 piece	M4	

Note: Item 5,6,7,8 are all optional accessories, if client not confirmed them before ordering, packing details will not include these items or part of them.

Warning: Our company is not responsible for any accident caused by opening the panel and electric control cabinet without the permission of the company.

Installation



Disconnect electric power from the appliance before performing any maintenance or repairs, failure to do so could result in death or electrical shock.

Because of potential safety hazards under a certain condition, we strongly recommend against the use of an extension cord. However, if you still elect to use an extension cord, it is absolutely necessary that it will be a related national standard LISTED 3-wire grounding type appliance extension cord having a 3- blade grounding plug and a 3-slot receptacle that will plug into the appliance. The marked rating of the extension cord shall be 220V 15A.

Wine Cabinet Installation Conditions

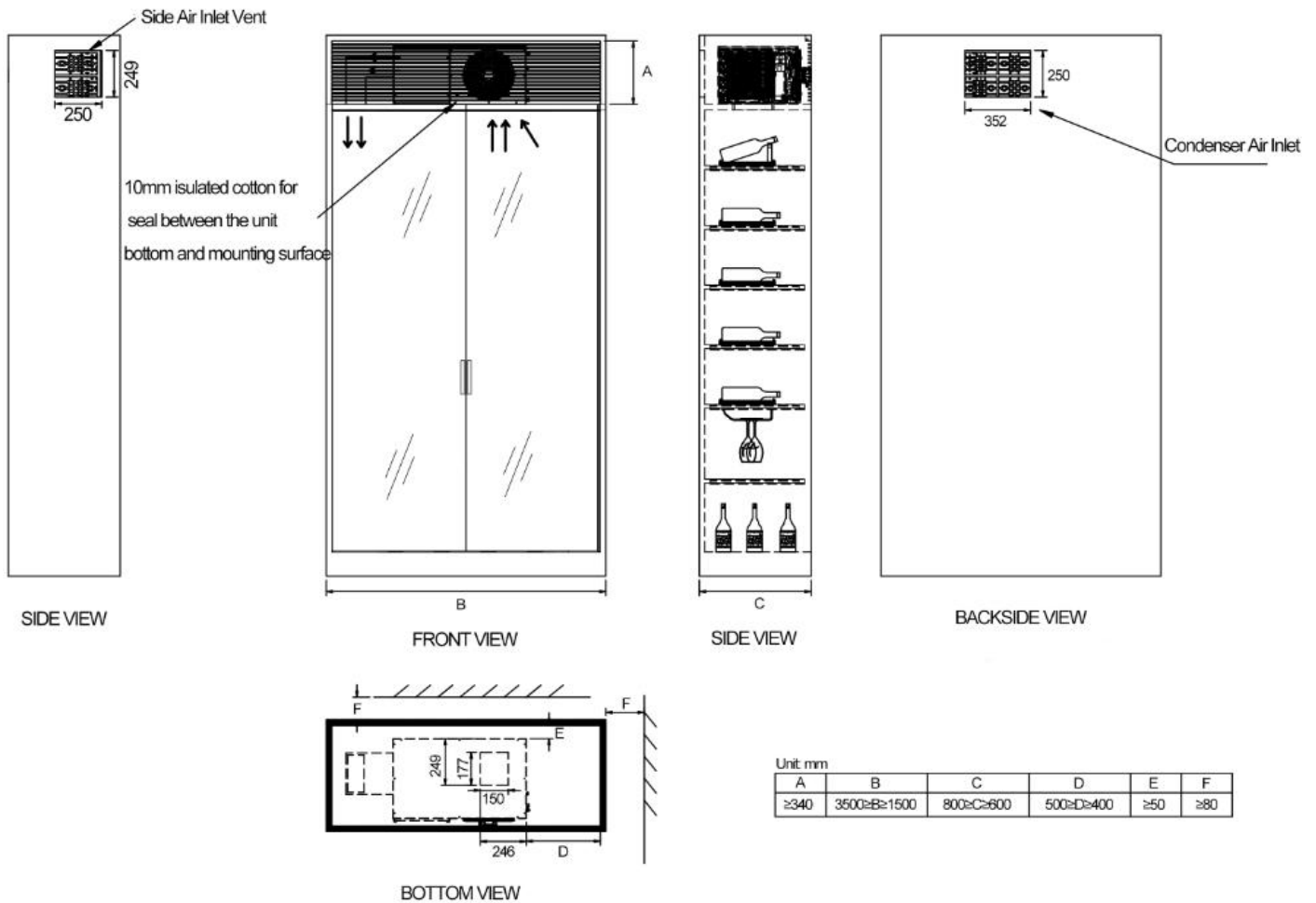
1. Place the wine cabinet in a properly ventilation location. Otherwise, heat exhausted by the cooling unit will build up and it will not operate properly.
2. Equipment should install on horizontal ground or platform, tilt angle must not exceed one degrees, platform or ground should be able to load-bearing unit weight;
3. To keep good ventilation and easy maintenance, requires that the wine cabinet grill can be flexibly disassembled.
4. Never install the unit in danger areas, such as strong magnetic, steam, dust, heating source, corrosion and combustible gases etc.
5. Unobstructed airflow to and from the unit is critical to unit's overall performance and lifespan, make sure there is a minimum of 50mm(100mm is better) of horizontal clearance in every direction around the unit. The system will operate more efficiently with a greater amount air to exchange.
6. To avoid any air leakage, before install the unit, foam tape needs to be placed in the bottom and side of the unit.
7. Working environment: Temperature 5°C-35°C , Humidity RH<80%
8. Recommend air duct: A- Heat-insulating phenolic board, thickness 15~20mm
B- Stainless steel duct, 20mm insulation
9. If the back of the wine cabinet is close to the wall, and there is no space to reserve vents. Please make sure reserving intake air vents at the two sides of the condensing intake air, and the larger the better. Meantime, keep at least 100mm of horizontal clearance in every direction around the unit.



In order to avoid fire or electric shock hazard, please do not expose the equipment to damp environment.

Common Mounting Methods:

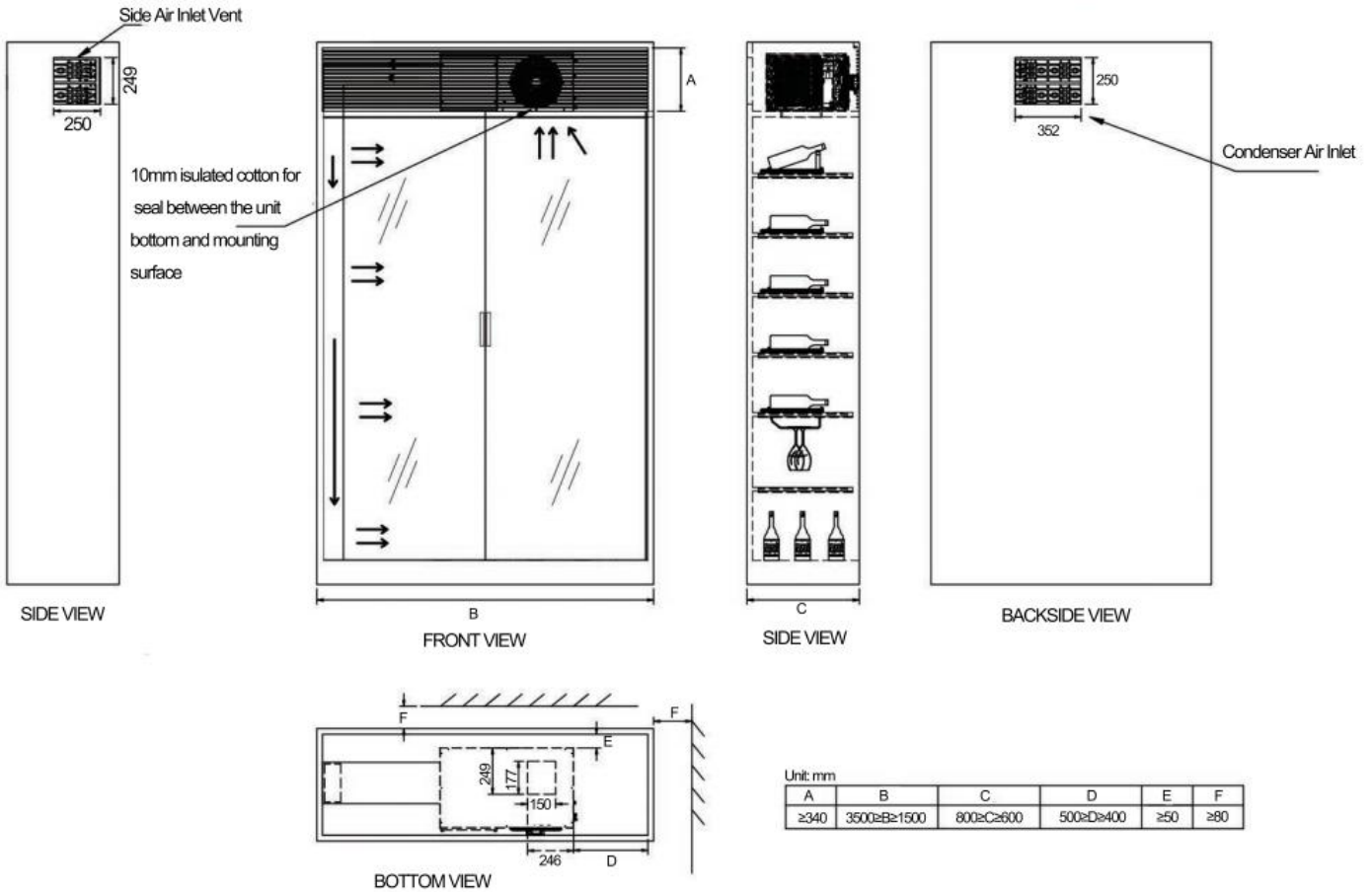
HSN-JC8 I: Wine Cabinet With Direct Blow Air



Note:

1. To avoid any air leakage, before install the unit, foam tape needs to be placed in the bottom and side of the unit.
2. If the installation space is confined, you need to add supply air and return air vent fan to indraft fresh air in and exhaust the hot air smoothly. Or adding intake air and exhaust air duct between the unit and outdoor or adjacent room.
3. Reserve access port: ≥400x400mm.

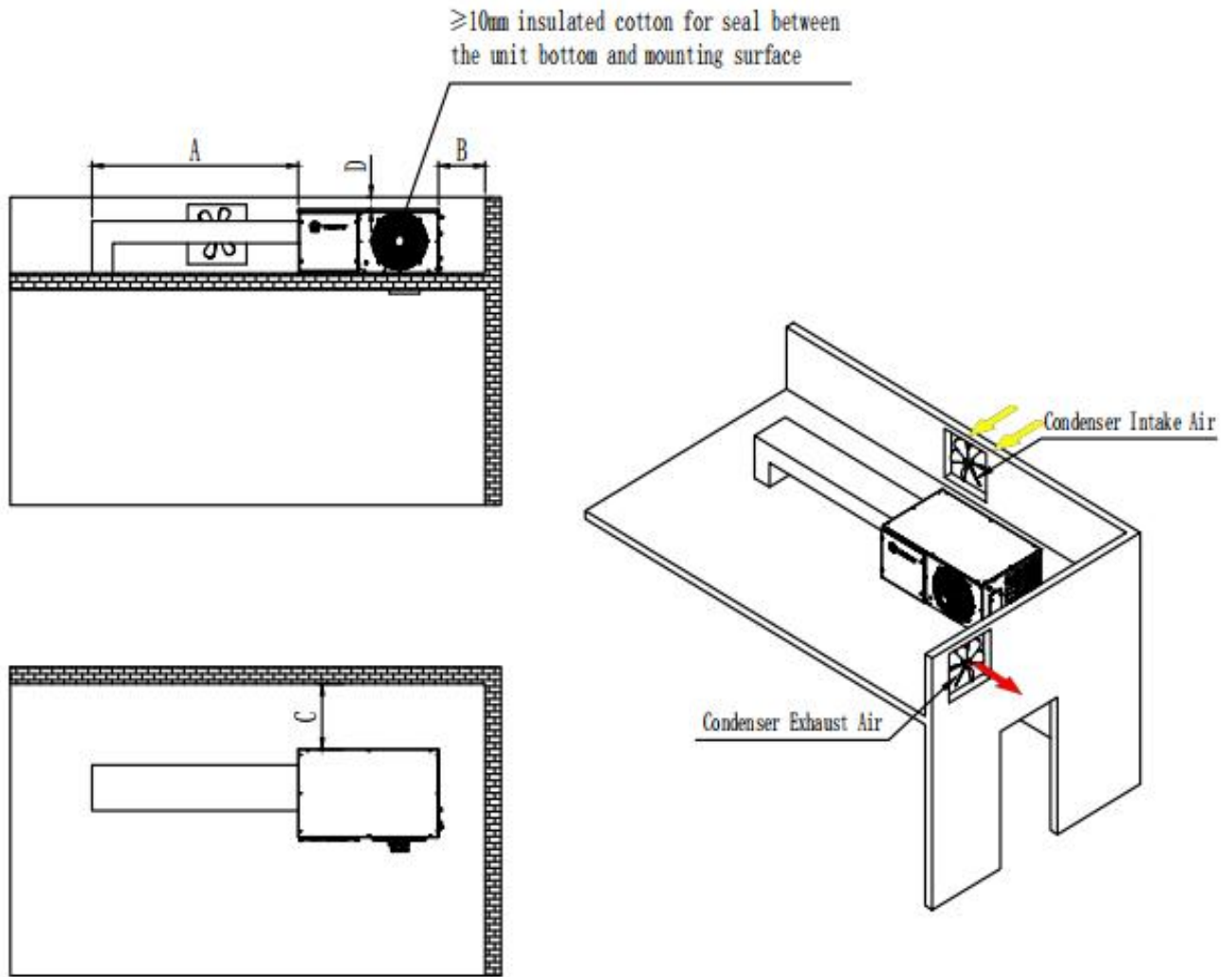
HSN-JC8 II : Wine Cabinet With Multiple Air Outlets



Note:

1. To avoid any air leakage, before install the unit, foam tape needs to be placed in the bottom and side of the unit.
2. If the installation space is confined, you need to add supply air and return air vent fan to indraft fresh air in and exhaust the hot air smoothly. Or adding intake air and exhaust air duct between the unit and outdoor or adjacent room.
3. Recommend air duct: A- Heat-insulating phenolic board, thickness 15~20mm
B-Stainless steel duct, 20mm insulation
4. Reserve access port: ≥400x400mm

HSN-JC8 III: Wine Room or Wine Wall, On Ceiling or Upward Unused Space



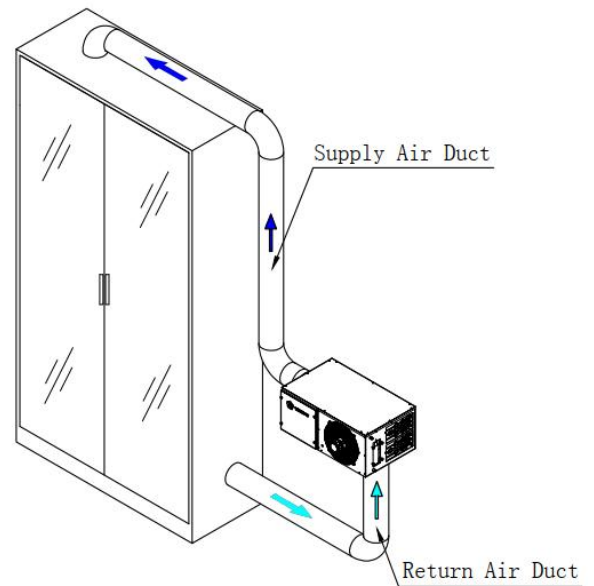
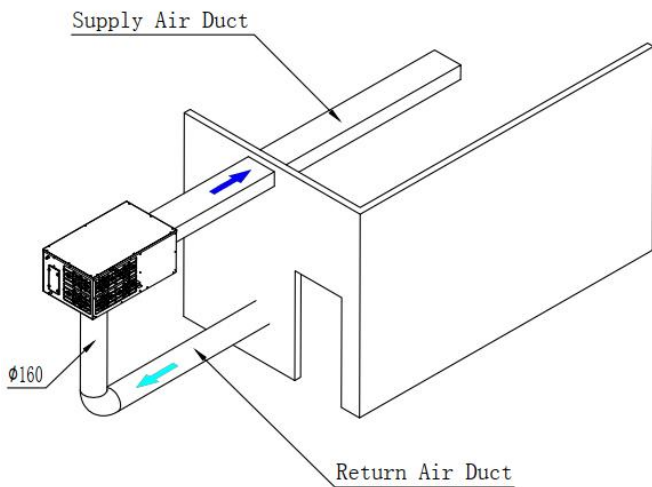
Unit:mm

A	B	C	D
1000~2200	≥400	100~250	≥50

Note:

1. To avoid any air leakage, before install the unit, foam tape needs to be placed in the bottom and side of the unit.
2. If the unit was installed in a confined area, exhaust and intake air vent fan(500m³/h), better with filters, must be installed to keep the installation area with good ventilation. Or use ducting kit, but the duct must be lower than 1.5m or you have to add fans to help exhaust or indraft the air smoothly.

HSN-JC8 IV: Wine Room or Wine Wall, Adjacent Room or Outdoor



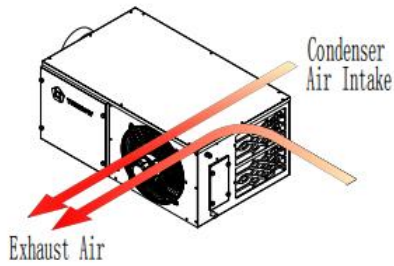
Note:

1. To avoid any air leakage, before install the unit, foam tape needs to be placed in the bottom and side of the unit.
2. The unit must be installed at an area well ventilated, if at the cellar's adjacent, normally must be 3 times larger than the cellar.
3. Thermal insulation foam is recommended adding to the outside of the unit to avoid condensation of surface.
4. Max. Supply air duct and return air duct less than 6m together.
5. If the unit was put outdoor under the sun directly, an unit protection cover must be installed as well.

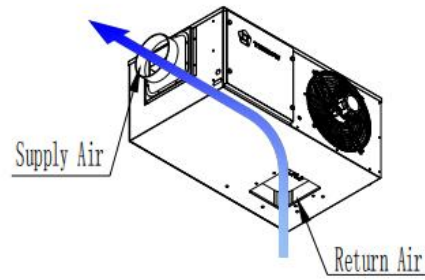
Online Debugging

Note: Always operate this machine from a 220V/50Hz power source, and the fluctuation amplitude does not exceed 10%, the junction box capacity meets the equipment electrical using requirements; Take reference to the internal electrical schematic diagram of the unit, connect the indoor unit and outdoor unit, and ensure that the unit is effectively grounded.

Before turning on the unit, make sure that the equipment has been installed correctly, the air supply port and the return air port have been sealed to ensure no air leakage, no obstruction for condensation air intake, sufficient heat dissipation space, and the wire controller has been installed correctly and secure.



Condenser Airflow Pathways



Supply and Return Airflow Pathways

After everything is in good condition, perform the following operations:

- 1.) Power the machine.
- 2.) Turn on the unit. Set the unit running mode at 'Constant T' , input the setting temperature, refer to controller functions in this manual.
- 3.) Testing the fan. Factory default is 'AUTO' fan operation, under this the fans runs continuously between the two speed when the unit is calling for cooling. Users can also change the fan operation from 'AUTO' to 'Manual' operation, choosing it running at high speed or low speed freely.
- 4.) Running the unit. Check unit to confirm the compressor is running, such as the hum of the compressor or cool air leaving the unit. Check for any unusual noise or vibration, such as clanking or rubbing.

After the machine runs for 30 minutes or several hours, up to a day or more:

1. Check the alarm record. If all functions work well, no alarm record will be generated.
2. Check the machine for leaks.
3. Check whether the temperature is lower than that when the machine is started. Generally, the coil temperature is reduced by 5-14°C as the normal range.
4. If the cooling of the unit can operate normally and there is no water leakage, the debugging work is completed.

Note: After transportation or moved, it needs to be allowed to stand for more than 24 hours before it can be turned on.

Introduction of Controller

Controller Introduction:

CK-4C-86 series controller is a new type of controller to realize intelligent control of constant temperature and humidity for a wine cellar and wine cabinet cooling units, which is widely used in precise temperature control places with small volume.

The controller adopts 4-inch large -screen colorful display technology, timing control, automatic/manual control of air flow speed , automatic operation of the appropriate air flow speed , comfortable energy saving , accurate and reliable.

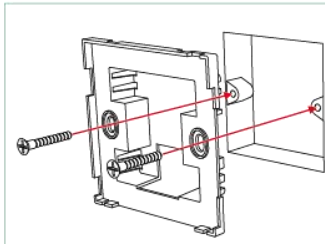
Functional features:

1. With 4-inch capacitive full-touch display, clear picture and easy to operate.
2. Real-time display of temperature, humidity and clock.
3. Timing control.
4. Fan speed manual/automatic control selection.
5. Multiple operating mode options.
6. Built-in advanced parameter settings, manufacturers can freely set according to different customer needs.
7. Standard 86 mounting bottom case for quick and easy installation.
8. Power off and restart function.
9. Alarm can be remembered.

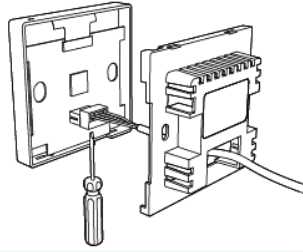
Technical Specifications

Power Supply	PCB: AC220V±10% 50/60HZ
	Display: DC12V
Shell Material	Flame retardant ABS+PC
Power	<12W
Pitch of Installation	60mm
Size	PCB: 123mm×85mm
	Display: 91mm×90mm
Storage Environment	-10~~70℃ 5%~~95%RH
Working Condition	-10~~70℃ 5%~~95%RH

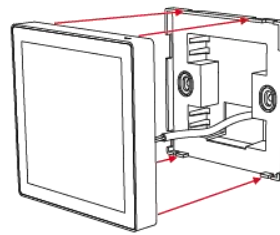
Product installation:



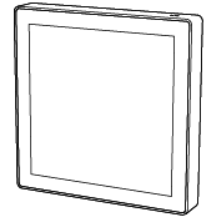
1. Remove the plastic frame and screw from the packaging box, and then install and fix the plastic frame to the 86 mounting box inside the wall after the wire is threaded out of the plastic frame.



2. Correct Wiring according to electrical connection diagram and wiring marking.



3. Snap the product lower point to the plastic frame, then press and hold the upper part of the product into the plastic frame.

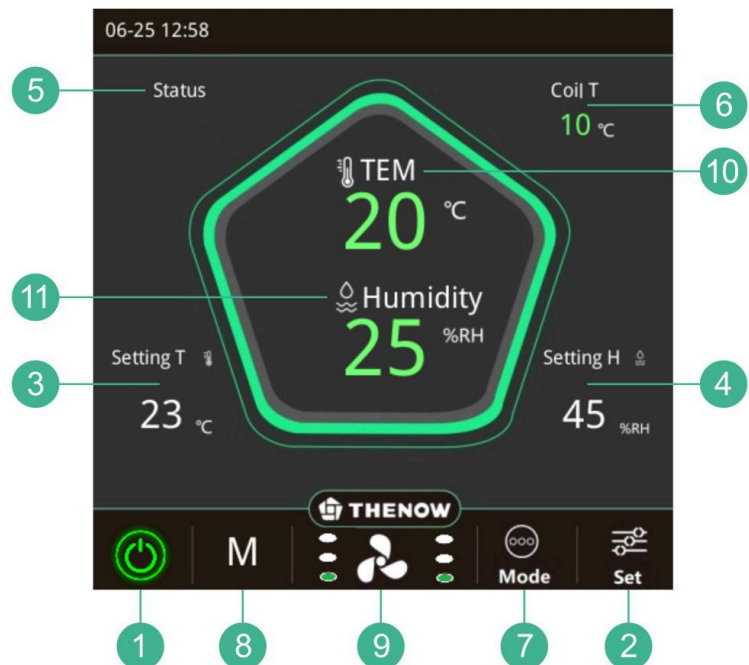


4. Confirm whether the shell is fastened and the installation is completed.






1. Remove the plastic frame and screw from the packaging box, and then install and fix the plastic frame to the 86 mounting box inside the wall after the wire is threaded out of the plastic frame.
2. Correct wiring according to electrical connection diagram and wiring marking.
3. Snap the product lower point to the plastic frame, then press and hold the upper part of the product into the plastic frame.
4. Confirm whether the shell is fastened and the installation is completed.

Functions:

1. Turn ON/OFF the unit
2. Setting
3. Setting temperature
4. Setting humidity
5. Running mode display
6. Coil temperature
7. Running Mode Setting
8. Fan running mode (Manual/Auto)
9. Fan speed
10. Cellar temperature
11. Cellar humidity



Note: Because all Thenow Cooling Units are using same displayer now, for the single cooling unit like JC8, some functions indicating above are not available. Very regretful for the troubles may bringing to you.

<p>Turn system ON/OFF</p>		<p>Touch the switch icon in the lower left corner to turn on or off the unit Color red is on and green is off</p>
<p>Set temperature</p>		<ol style="list-style-type: none"> 1. Touch icon 'Set' 2. Find 'Temperature', click to enter and set temperature
<p>Set time</p>		<ol style="list-style-type: none"> 1. Touch icon 'Set' 2. Find 'Time', click to enter and set time
<p>Mode</p>		<p>Touch icon 'Mode' to choose the running mode, default value is 'Constant T'</p>
<p>Fan Running Mode</p>		<p>Touch icon next to the switch, choosing the running mode of the fan at 'A' or 'M' (A-Auto running speed, M-Selecting running speed manually)</p>
<p>Set the fan speed (Only available at the fan work under "Manual" running mode)</p>		<p>Touch the fan icon to change the fan speed</p>

Maintenance

1、 Using Requirements

- (1) Working conditions: Surrounding temperature at 5°C-35°C, relative humidity lower than 80% ;
- (2) Please make certain power supply is specified voltage, it's strictly prohibited to operate equipment with phase missing or under voltage ;
- (3) If the equipment has not been used for a long time ,please make sure to turn off the power.

2、 Cleaning and Replacing

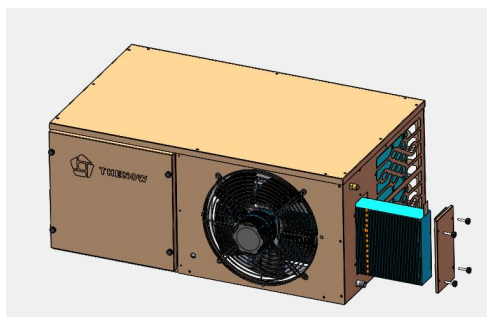
 **Disconnect electric power from the appliance before any operation, otherwise there will be the risk of electric shock.**

Note: In a high temperature and high humidity environment, if excess condensate may be generated in the wine cabinet, this part of the condensate needs to be manually removed.

JC8 is a self-contained single cooling self-absorbent product. The self-absorbent wet film pad inside is a consumable part. It needs to be replaced at least once every six months.

The replacement steps are as follows:

1. Turn off the unit and cut off the power, no need to move the unit out of the cabinet. As shown in below picture, loosen and remove the 4 related screws of the access door aside.
2. Pull and take out the old wet film pad and put in the new pad. Note that the direction and placement of the pad must be the same as the original one, the wet film should be flat and without bending and deformation, otherwise it will directly affect the moisture absorption effect.



Troubleshooting



WARNING



Disconnect electric power from the appliance before performing any maintenance or repairs, failure to do so could result in death or electrical shock.

- If maintenance is needed, wait for 3 minutes after power failure (let capacitor discharge on PCB), and then open the maintenance door.
- The surface temperature of the condenser may be very high. Do not touch it to prevent burns.
- Even if the fan and compressor have stopped, there is still a dangerous voltage at the terminals of the starting capacitor.

Troubleshooting

Status	Reason	Suggestion
Cooling unit not running	<ol style="list-style-type: none"> 1. No power. 2. Power cord unplugged. 3. Low voltage. 4. Incorrect or loose wirings. 5. Ambient temperature above 35°C or lower 5°C. 6. Setting higher than ambient temperature. 7. Defrosting mode on. 	<ol style="list-style-type: none"> 1. Check power at receptacle & fuses. 2. Plug-in power cord plug. 3. Contact an authorized electrician. 4. Check all wirings and connections. 5. Ambient temperature not meet unit working conditions. 6. Lower temperature setting . 7. Wait 5-30minutes.
Cannot dehumidification	<ol style="list-style-type: none"> 1. Inlet or outlet air grille is stuck. 2. Air filter is stuck. 3. Refrigerant leakage. 4. Compressor not working. 5. Fan is not working 	<ol style="list-style-type: none"> 1. Please check the air grille and clean it. 2. Check air filter. 3. Add refrigerant. 4. Check whether the compressor is normal. 5 Check the fan.
No air exhaust	<ol style="list-style-type: none"> 1. The air supply is blocked. 2. Fan is not working. 	<ol style="list-style-type: none"> 1. Check and clean air outlet. 2. Check the fan.
Louder noise	<ol style="list-style-type: none"> 1. Loose parts. 2. Air filter is stuck. 3. The unit is not installed smoothly. 	<ol style="list-style-type: none"> 1. Check parts. 2. Clean filter. 3. Install the machine smoothly.
Temperature too high	<ol style="list-style-type: none"> 1. Setting too high. 2. Improper cabinet seals. 3. Ambient temperature too high. 4. Cabinet/room too large. 5. Fan fault. 6. Refrigerant leakage. 	<ol style="list-style-type: none"> 1. Lower setting. 2. Check gasket and door opening. 3. Check installation location. 4. Check for excessive size or the machine model choice is improper. 5. Check both evaporator and condenser fans. 6. Add refrigerant.

Unit running too long or continually	<ol style="list-style-type: none"> 1. The machine model choice is improper or improper room sealing. 2. Ambient temperature too high. 	<ol style="list-style-type: none"> 1. Check machine mode or check room tightness. 2. Check installation location or increase setting.
Evaporator icing	<ol style="list-style-type: none"> 1. Evaporator airflow restricted. 2. Unit not stopping due to air leak, high ambient temperature or low setting. 3. Low ambient temperature. 4. Bad thermostat or sensor. 5. Refrigerant leaking. 6. Expansion valve blockage. 	<ol style="list-style-type: none"> 1. Check the fan. 2. Check the sealing of the unit, ambient temperature and setting temperature. 3. Defrost the unit 4. Check for thermostat and sensor. 5. Check for sealed system leakage. 6. Check for low side pressure.
The fan keeps running	<ol style="list-style-type: none"> 1. Fan protection procedure. 2. Wrong wiring harness connection. 	<ol style="list-style-type: none"> 1. Wait 3 minutes. 2. Check harness links.
No cooling but compressor running	<ol style="list-style-type: none"> 1. Refrigerant leakage. 2. Evaporator airflow restricted. 	<ol style="list-style-type: none"> 1. Check of refrigerant. 2. Check for airflow through evaporator.



The above information is for reference only. If the machine fails to work properly, please contact your local dealer or your local authorized repair station.

All electrical installation and maintenance work in this manual must be performed by a professional electrical engineer.,our company is not responsible for opening the panel and electric control cabinet without the permission of the company.

Warranty

Limited Warranty

The machine provided by our company is guaranteed for one year and the fan is guaranteed for two years and the compressor for three years from the date of arrival. During the warranty period, any defects due to workmanship or materials, we guarantee to repair or replace the machine free of charge. (warning: the machine due to the use of dust ,corrosive liquid and other non-machine quality reasons for damage is not covered by the warranty.

Commitment in after-sales service

During the warranty period, our company is responsible for the maintenance of the equipment, if the equipment exceeds the warranty period, our company will charge for reasonable maintenance cost.

Other preferential terms

Our company provides free technical advisory services to users.

Shanghai Thenow Purification Technology Co.,Ltd

Factory Add: No. 59 Linsheng Road, Tinglin Town, Jinshan District, Shanghai, China

www.thenowair.com

Email: sales@thenowair.com

Service Line: 400-187-8599